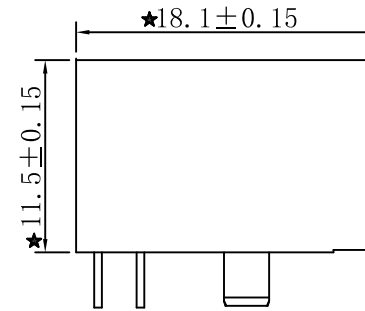
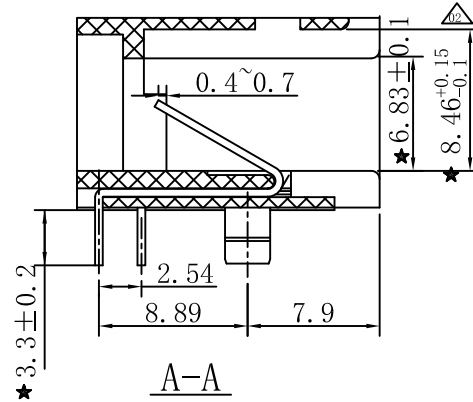
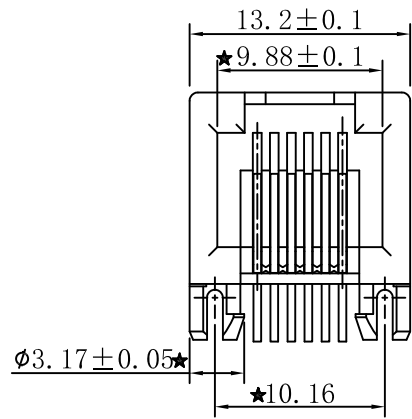


REV	ECN NO.	DATE
01	第一次定制	09.12.31



SPECIFICATION NOTES:

ELECTRICAL:

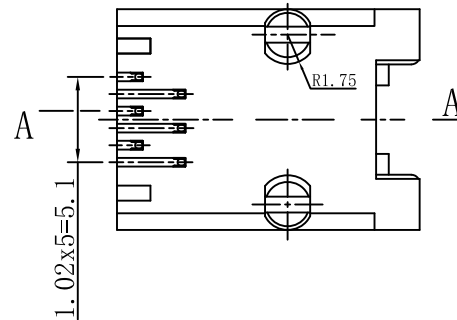
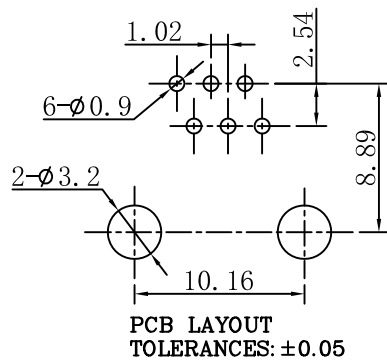
- VOLTAGE RATING: 125 VAC RMS
- CURRENT RATING: 1.5 AMP
- CONTACT RESISTANCE: 20mΩ MAX.
- INSULATION RESISTANCE: 1000Ω MIN. AT 500V DC.
- DIELECTRIC STRENGTH: 1000 V AC OR 1500V DC RMS AT 0.5mA 50 Hz / 60 Hz FOR 1 MINUTE

MECHANICAL:

- HOUSING&INSERT&MATERIAL:SEE TABLE
- CONTACT MATERIAL: DIA. PHOSPHOR BRONZE $\phi=0.46$ MM
- PLATING:GOLD PLATING AT CONTACT AREA, NICKEL 30U MIN. OVER ALL
- OPERATING LIFE:750 CYCLES MIN.
- MATING/UNMATING FORCE: 30N/3.06KG MAX.
- RETENTION STRENGTH:30N MIN. FOR 60S±5S

ENVIRONMENTAL:

- STORAGE: -40° C TO +85° C RELATIVE HUMIDITY<80%
- GUARANTEE PERIOD:12 MONTHS
- OPERATION: -40° C TO +85° C
- WAVE SOLDERING TEMPERATURE: 260±5° C 5~10 SECONDS. MATES WITH MODULAR PLUG CONFORMING TO FCC PART 68, SUBPART F.



RoHS Compliant

Coorle 库乐科技

TOLERANCES
 0~15 ±0.15
 15~30 ±0.20
 30~50 ±0.25
 50~ ±0.30
 ANGLES: ±1°

MATERIAL: 见明细表

Designed: Michael 2013.05.09

NAME: 5324插座 6P6C系列

FINISH: 见明细表

Checked:

DWG NO: CL3P0193

REV.

SHEET 1 OF 1

Approved:

PART NO:

05



A4
SIZE

SCALE
1:1

UNIT
mm

CUSTOMER:
MODEL NO: